



V2203-ME3BG

Kubota BG Engine for Emergency Stationary Standby Gensets

Your product is sold as a failsafe—so you need the most dependable engine around to power your generator. Kubota is known around the world for its power, efficiency, and most of all, its reliability. Kubota engines are built to enhance your company's reputation with reliability that delivers peace of mind to customers and a true competitive advantage to you.

Compact and powerful.

Don't underestimate the compact package of the V2203. This Kubota BG engine is a powerhouse with a standby rating of 19.4 kW @ 1800 rpm and a 12V/40 amp alternator. With its prized combination of output, efficiency and always-ready reliability, this engine is a smart choice for any emergency stationary standby generator OEM.

Durable and reliable belt-free design.

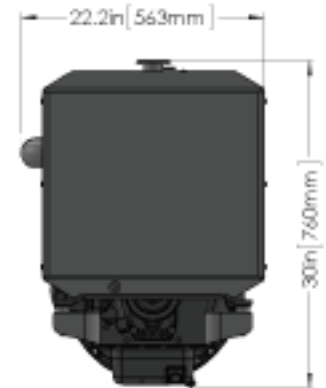
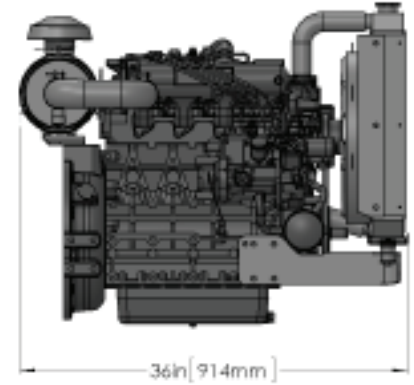
The new Kubota BG engine includes a durable and dependable solid gear train that gets the job done without the use of belts.

Stable, predictable power.

A unique fly-ball governor system stabilizes and regulates energy output for safe, predictable performance.

More parts give you more flexibility.

The V2203 Kubota BG engine includes the radiator and air cleaner. This gives you the flexibility to choose your own controls and exhaust configuration and allows for efficient, hassle-free setup and installation.



MODEL	V2203-ME3BG
Standby Rating	19.4 kW @ 1800 (.8 power factor)
Emission Level	Tier 4I Emergency Stationary Standby
Flywheel	SAE 7.5
Flywheel Housing	SAE 4 (short)
Alternator	12V/40 Amp
Fan	6 Blade Pusher Fan
Number of Cylinders	4
Combustion System	IDI
Cycle	4 Stroke
Aspiration	Natural Aspiration
Displacement	2.197 L
Cooling System	Water Cooled
Total Lube Oil Capacity	7.56 L (2 US gal)
Fuel Consumption @ Standby	1.71 US gph @ 100% Load
Service Interval (Oil)	200 Hours
Dimensions (with Air Cleaner and Radiator):	
Length	36 in (914 mm)
Width	22.2 in (563 mm)
Height	30 in (760 mm)
Dry Weight	500 lbs

Product Support:

Warranty: 2 year/2000 hours

Over 700 service locations throughout North America

Loose Items:

Air Cleaner Kit
Radiator and Mounting Kit

Optional Items:

Muffler
Control Panel

